







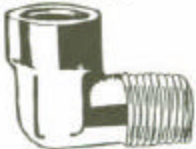



FUEL LINE COUPLINGS

SWIVEL MALE PIPE THREAD	PART NUMBER	HOSE I.D. IN.	THREAD SIZE IN.		PART NUMBER	HOSE I.D. IN.	THREAD SIZE IN.
	HB4-2	1/4	1/8		HBM2-2	1/8	1/8
	HB4-4	1/4	1/4		HBM3-2	3/16	1/8
	HB6-4	3/8	1/4		HBM3-4	3/16	1/4
	HB6-6	3/8	3/8		HBM4-2	1/4	1/8
	HB6-8	3/8	1/2		HBM4-4	1/4	1/4
	HBB-6	1/2	3/8		HBM4-6	1/4	3/8
	HBB-8	1/2	1/2		HBM5-2	5/16	1/8
					HBM5-4	5/16	1/4
HOSE MENDER	HBR3	3/16			HBM6-2	3/8	1/8
	HBB4	1/4			HBM6-4	3/8	1/4
	HBR5	5/16			HBM6-6	3/8	3/8
	HBR6	3/8			HBM6-8	3/8	1/2
	HBR8	1/2			HBM8-4	1/2	1/4
	HBR12	3/4			HBM8-6	1/2	3/8
					HBM8-8	1/2	1/2
					HBM12-8	3/4	1/2
			HBM12-12	3/4	3/4		

GREASE FITTINGS

STRAIGHT	PART NUMBER	THREAD SIZE	35°, 45° & 67° ANGLE	PART NUMBER	THREAD SIZE	
	GP2S	1/8 27NPT		GP2-45	1/8 27NPT	
	GP4S	1/4 18NPT		GP4NP-45	1/4 28AM NP Tapper	
	GP4NPS	1/4 28AM NP		GP2-67	1/8 27NPT	
STRAIGHT LONG				GP4NP-67	1/4 18NPT	
		GP2-SL		1/8 27NPT	90° ANGLE	
		GP4NP-SL		1/4 28AM NP		
			GP4NP-90	1/4 28AM NP		

THREADED SLEEVE FITTINGS

MALE ELBOW	PART NUMBER	PIPE THREAD IN.	TUBE O.D. IN.	NUT	PART NUMBER	TUBE O.D. IN.
	TSP189-2-2	1/8	1/8		TSP181-2	1/8
	TSP189-3-2	3/16	1/8		TSP181-4	1/4
	TSP189-4-2	1/4	1/8		TSP181-6	3/8
	TSP189-5-2	5/16	1/8			
	TSP189-6-4	3/8	1/4			
MALE CONNECTOR						
	TSP188-2-2	1/8	1/8			
	TSP188-3-2	3/16	1/8			
	TSP188-4-2	1/4	1/8			
	TSP188-5-2	5/16	1/8			
	TSP188-6-4	3/8	1/4			