



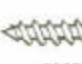



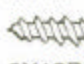
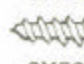


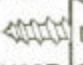
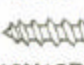












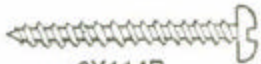
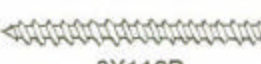
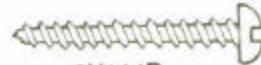









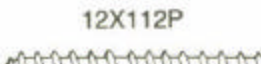
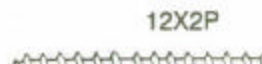


## PAN HEAD SHEET METAL SCREWS 1/4" TO 1"

	1/4 inch	3/8 inch	1/2 inch	5/8 inch	3/4 inch	1 inch
#6	 6X14P	 6X38P	 6X12P	 6X58P	 6X34P	 6X1P
#8	 8X14P	 8X38P	 8X12P	 8X58P	 8X34P	 8X1P
#10		 10X38P	 10X12P	 10X58P	 10X34P	 10X1P
#12		 12X38P	 12X12P	 12X58P	 12X34P	 12X1P
#14			 14X12P	 14X58P	 14X34P	 14X1P

## PAN HEAD SHEET METAL SCREWS 1 1/4" TO 2"

	1-1/4 inch	1-1/2 inch	2 inch
#6	 6X114P	 6X112P	
#8	 8X114P	 8X112P	 8X2P
#10	 10X114P	 10X112P	 10X2P
#12	 12X114P	 12X112P	 12X2P
#14	 14X114P	 14X112P	 14X2P